

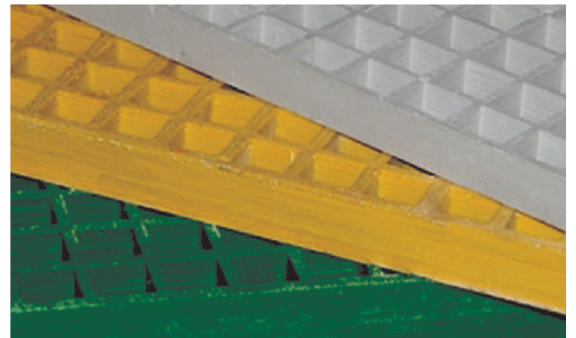
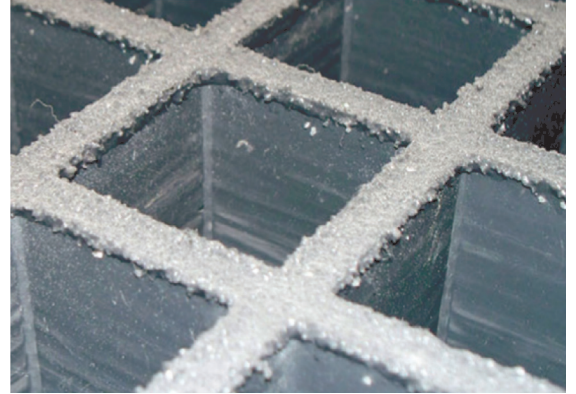
NOW IN STOCK to compliment our Steel Flooring Range of Products **GRP Isophthalic Polyester moulded panels**

From our UK warehouse Onesite now stocks GRP Isophthalic Polyester moulded panels

GRP grating can provide cost effective solutions when designing and manufacturing Platforms, Walkways, Gullies and Trenches and also incorporate the following additional features:

- Fire Retardant (Conforms to ASTM-E84 and ASTM-D635)
- Chemical Resistant
- Anti-Slip - Gritted Top Surface
- Lightweight
- Allows easy cutting to size on site

We currently hold stock of the following panels:

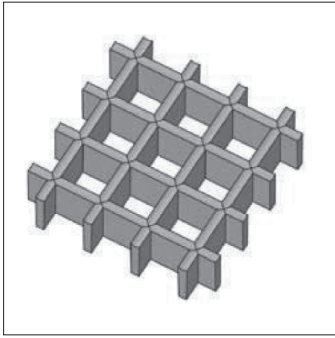


Panel Depth	Mesh Size	Panel Size	Colour	RAL Ref		Weight/m ²	Resin
25mm	38 x 38	3660 x 1220	Grey	RAL 7035		12kgs/m ²	Isophthalic Polyester
25mm	38 x 38	3660 x 1220	Green	RAL 6010		12kgs/m ²	Isophthalic Polyester
25mm	38 x 38	3660 x 1220	Yellow	RAL 1003		12kgs/m ²	Isophthalic Polyester
38mm	38 x 38	3660 x 1220	Grey	RAL 7035		18kgs/m ²	Isophthalic Polyester
38mm	38 x 38	3660 x 1220	Green	RAL 6010		18kgs/m ²	Isophthalic Polyester
38mm	38 x 38	3660 x 1220	Yellow	RAL 1003		18kgs/m ²	Isophthalic Polyester

Onesite can supply stock size panels (3660 x 1220) or cut panels to size and shape if required and specified.

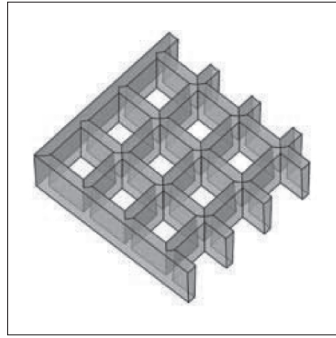
Other panel sizes and colours are available but would be subject to an extended delivery period and possible cost increases dependent on quantity ordered.

For further information contact:
sales@onesiteltd.com



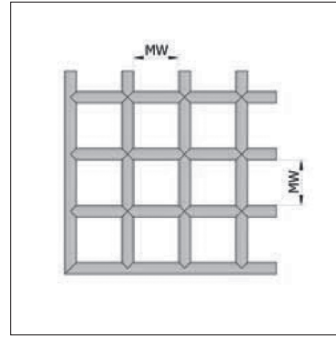
Supporting Rods/Crossbars

Moulded GRP gratings are constructed with supporting rods and crossbars of the same height. Only micro mesh GRP gratings have a different top mesh structure to the basic mesh structure.



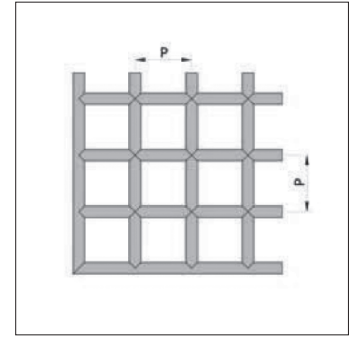
Open Edges

GRP gratings whose external dimensions deviate from production dimensions might not have closed edges. Open edges are not included. The cut edges should be permanently sealed.



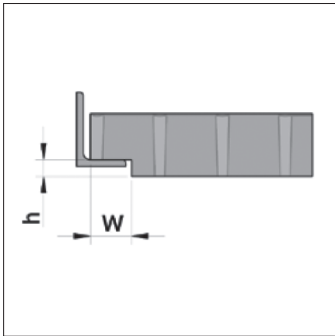
Open Edges

The clearance between supporting rods/crossbars.



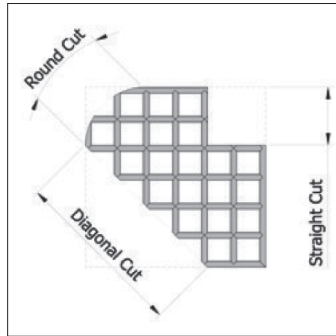
Pitch

The distance from one axis to the other axis of supporting rods/crossbars.



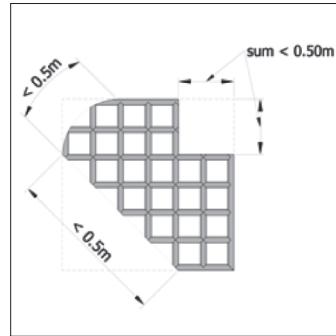
Recess Areas

Recess areas are necessary in the contact area if it is necessary to be on the same level as the neighbouring floor covering. Individual structural analyses should be carried out.



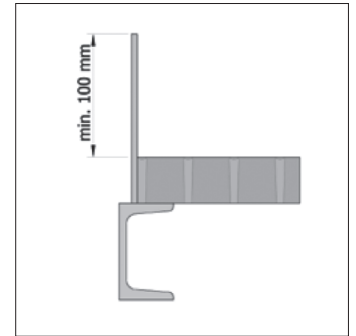
Cut-outs

Cut-outs are straight, diagonal and round cuts which deviate from the smallest possible surrounding rectangle or square. In contrast to steel gratings, these are not re-incorporated in accordance with DIN 24537-3.



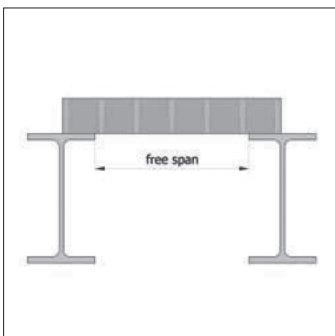
Small Cuts

Small cuts are straight diagonal and round cuts which are smaller than 0.5 running metres. These are calculated as allowances.



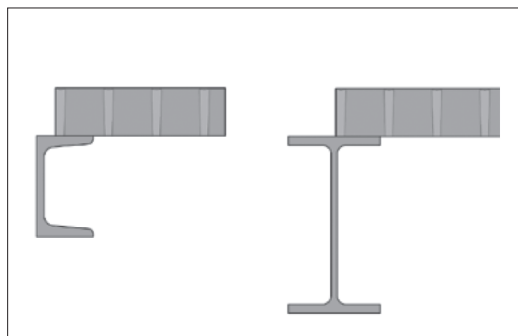
Kick Plate

Flat material screwed onto the grating after construction which protrudes from the grating edge. It must be at least 100mm higher than the grating surface.



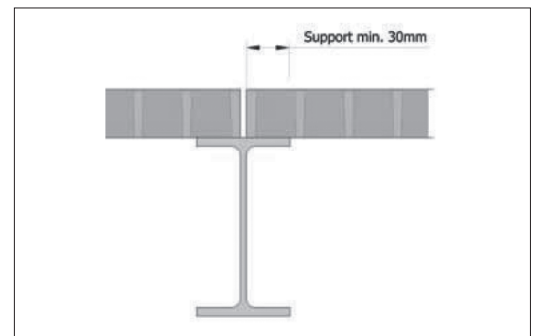
Free Span

The span is the clearance between two supports.



Substructure

A substructure is a structural component which a grating can be laid on.



Support

The planned length of any support must be at least 30mm. When in use, the support may not measure less than 25mm. Deviations are permissible if structural measures ensure that the grating will not be displaced in the support direction.